

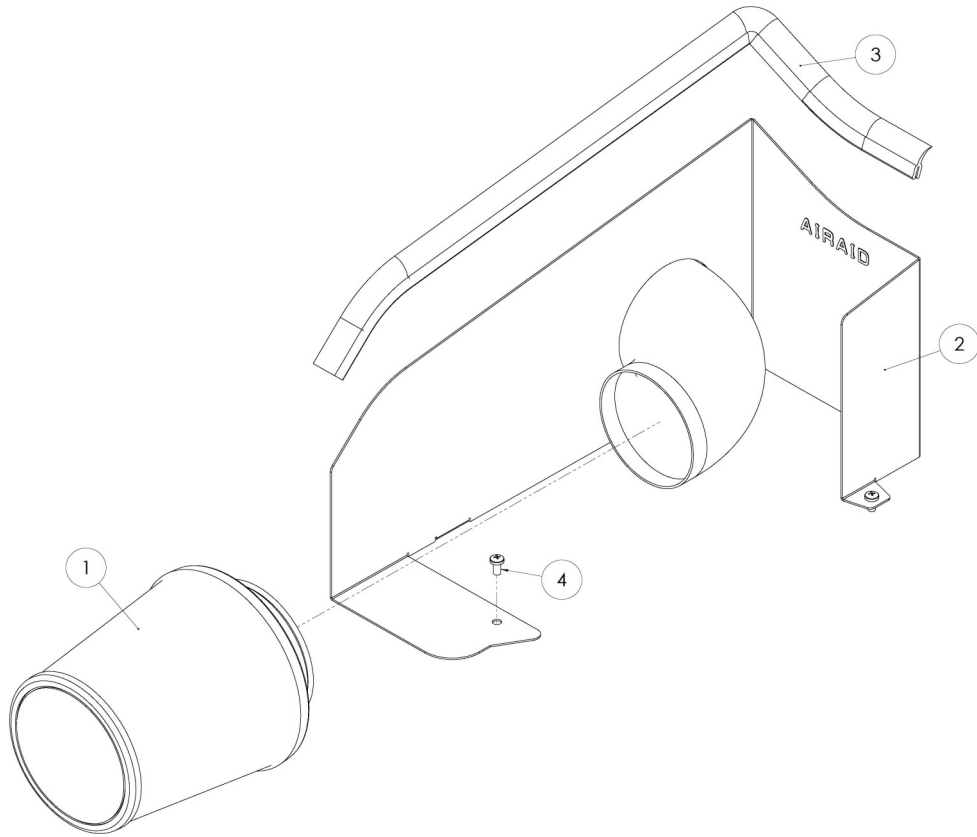


## Installation Instructions

For Part Numbers:

530-202	700-452 Airaid Oiled Media Filter
531-202	701-452 SynthaMax Dry Media Filter - Red
533-202	703-452 SynthaMax Dry Media Filter - Blue

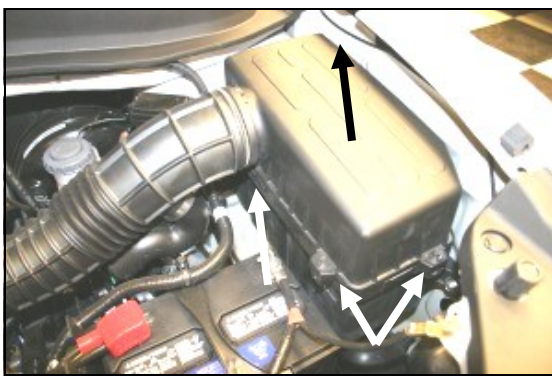
**2006-08 Honda Ridgeline  
3.5L V6**



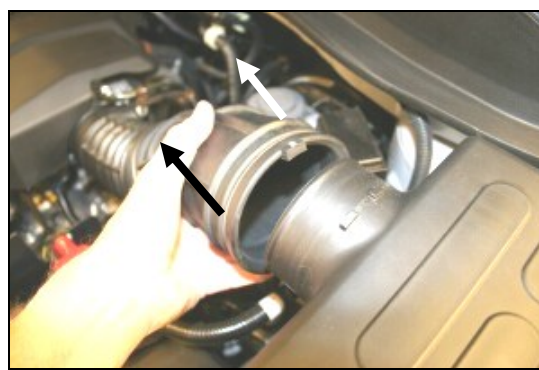
### Component Identification

1.	Airaid Premium Filter	1
2.	Panel	1
3.	Weather Strip 23"	1
4.	M5x10mm Screw	4
5.	Pre-Filter	1
6.	Airaid Decal	1

Full color instructions can be viewed on our web site at [Airaid.com](http://Airaid.com). Use the **Product Search** function to find your part number, and click **View Details**.



1. **Disconnect negative battery cable.**  
Loosen the 4 factory screws that hold the factory air cleaner lid to the air cleaner base.



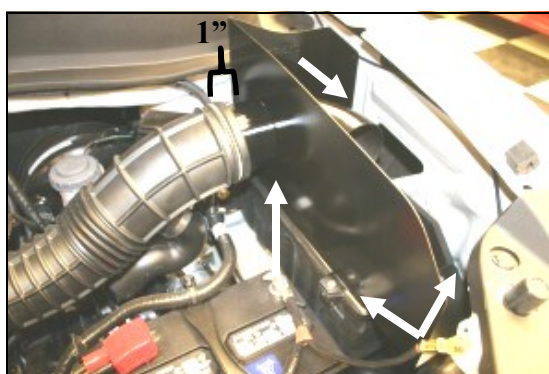
2. Remove the factory intake tube from the air cleaner lid by pushing it towards the engine as shown.



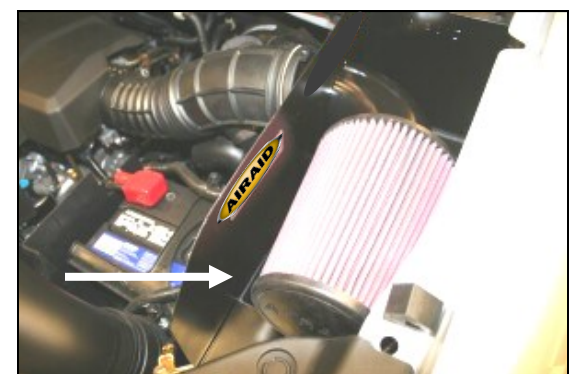
3. Remove the factory air cleaner lid from the vehicle.



4. Remove the factory air filter from the vehicle.



5. Install the Quick Fit Panel (#2) onto the top of the factory air cleaner base. Align the 4 holes, install and tighten the 4 supplied 5mm screws (#4). Carefully slide the factory intake tube onto the Quick Fit Panel Tube. Make sure it is installed at least one inch onto the tube.



6. Install the Airaid Premium Filter (#1) onto the Quick Fit Panel Tube, and tighten the clamp. Apply the Airaid Foil Decal onto the Panel as shown.



7. Install the supplied weather strip (#3) onto the top of the Quick Fit Panel, starting at the left fender, and working your way towards the front of the vehicle. Slip the Pre-Filter over the Airaid premium Filter.

### **8. Double check your work!**

Make sure there is no foreign material in the intake path. Make sure all clamps, hoses, bolts, and screws are tight.

### **9. Reconnect the negative battery cable!**

Thank you for purchasing the Airaid Intake System. Contact Airaid @ (800) 498-6951 8:00 AM - 5:00 PM MST weekdays for questions regarding fit or instructions that are not clear to you. Your Airaid Intake System was carefully inspected and packaged. Check that no parts are missing, or were damaged during shipping. If any parts are missing, contact Airaid. The air filter element is protected from direct exposure to water and debris; care should be taken not to drive through deep water. WATER INGESTION IS THE DRIVERS RESPONSIBILITY! The air filter is reusable and should be cleaned periodically.

## FILTER IDENTIFICATION

700-452 Airaid Oiled Media

701-452 Airaid SynthaMax Dry Media - Red

703-452 Airaid SynthaMax Dry Media - Blue

**For your Oiled media filter we suggest using the AIRAID Filter Tune-Up Kit!**

**SynthaMax**

**Do Not Oil**



Synthamax Air Filters do not require oil. Service air filter as needed by cleaning with common non-petroleum all-purpose household cleaner and water. Simple Green®, Formula 409® or equivalent works great. Apply cleaner to outside of air filter and allow to soak. Then flush filter clean from the inside out with a garden hose and repeat steps if necessary. Do not apply high pressure water or air to clean filter. Allow filter to air dry and reinstall.

P/N 790-551 Aerosol Spray  
P/N 790-550 Squeeze Spray

